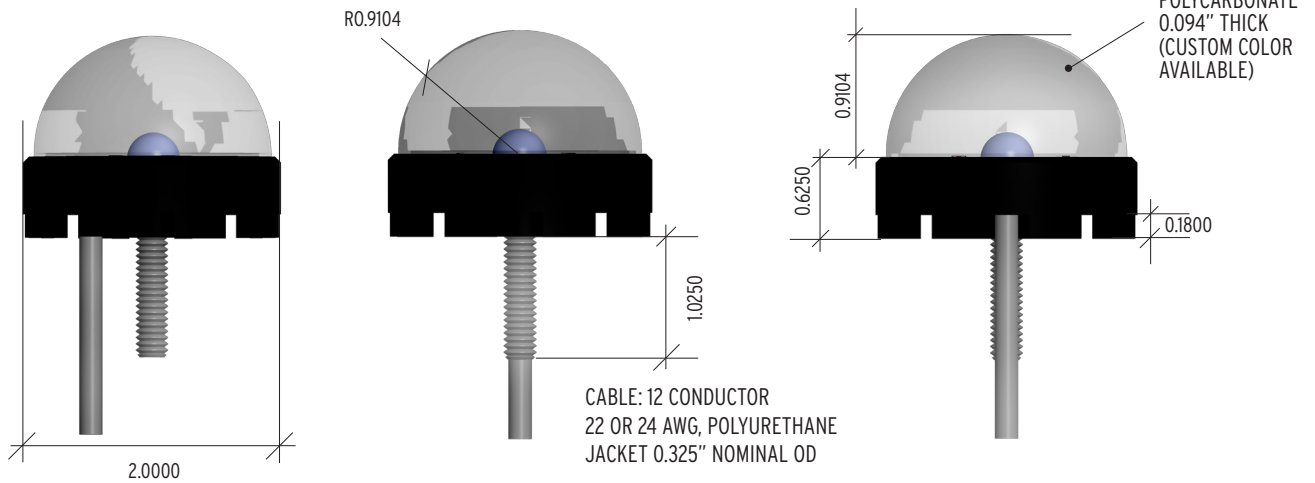
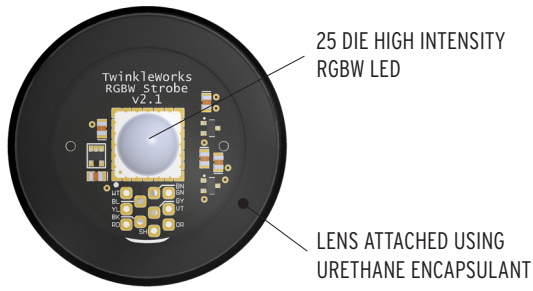


SUBMERSIBLE RGBW LED STROBE SPECIFICATIONS

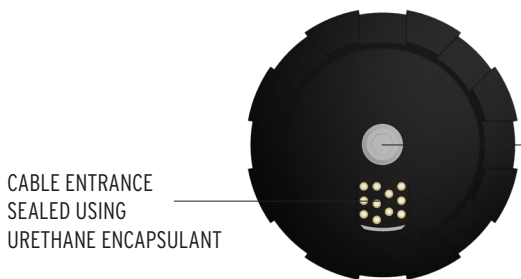
PHYSICAL PROPERTIES

Weight (Air):	70 g	2.5 oz
Weight (Submerged):	TBD (less than dry weight)	
Mounting Interface:	1 in Stud	1/4-20 Thread
Base Diameter:	2 in	50.8 mm
Base Height:	0.625 in	15.9 mm
Dome Radius:	0.9104 in	23.1 mm
Base:	Aluminum	Black Anodized

Other base material and finish options available



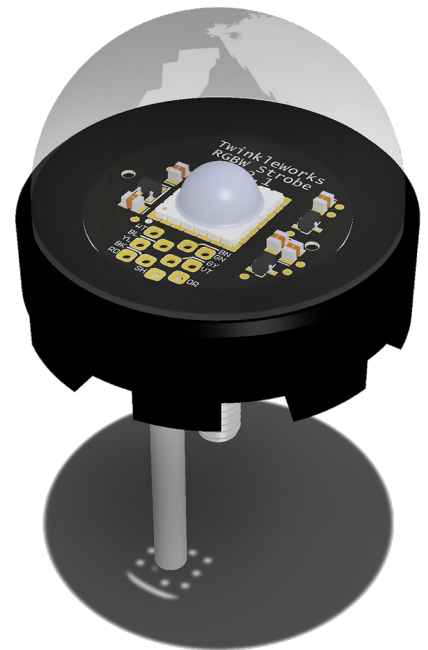
CABLE: 12 CONDUCTOR
22 OR 24 AWG, POLYURETHANE
JACKET 0.325" NOMINAL OD



BASE IS THREADED 1/4" 20TPI
STAINLESS STEEL STUD
IS INCLUDED AND REMOVABLE

NOTES:
PART NUMBERS: RGBW-(BASE)(CABLE)
EXAMPLE: RGBW-S25 = STANDARD BLACK BASE
25' CABLE

DESCRIPTION: SUBMERSIBLE RGBW STROBE
FIXTURE WITH TEMPERATURE SENSOR



SUBMERSIBLE RGBW LED STROBE SPECIFICATIONS

OPTICAL CHARACTERISTICS

Luminous Flux

Color	Minimum	Average	Maximum
Red	600 lm	765 lm	940 lm
Green	720 lm	920 lm	1130 lm
Blue	172 lm	230 lm	270 lm
White	1250 lm	1550 lm	1960 lm

Average Lumen Maintenance - Approximately 70% lumen maintenance at 20,000 hours of operation at recommended forward current (700mA)

LED Color Data

Color	Min Flux Bin	Color Bin Range	Dominant Wavelength/CCT
Red	18R	R01	623 nm
Green	20G	G2 - G3	523 nm
Blue	20B	B03	457 nm
White	09W	1V2U	6500K

Light Distribution

Viewing Angle ¹	125 Degrees
Total Included Angle ²	140 Degrees

¹ Viewing Angle is the off axis angle from emitter centerline where the luminous intensity is 50% of the peak value.

² Total Included Angle is the total angle that includes 90% of the total luminous flux.

ELECTRICAL PROPERTIES

Forward Voltage @ 700mA* (Maximum Forward Current)

Color	Minimum	Average	Maximum
Red	12.6 V	15.0 v	17.4 V
Green	19.2 V	21.6 v	25.2 V
Blue	16.8 V	19.2 v	22.8 V
White	19.6 V	22.4 v	26.6 V

Temperature Sensor Power

Sensing Circuitry	3 - 5.5 V	< 5 mA
-------------------	-----------	--------

* Voltage figures do not take into account voltage drop across cable runs.

CABLE (NON-WATERPROOF VERSION)

Weight:	47.6 Kg/Km	32 lbs/Mft
Min Bend Radius:	54 mm	2.125 in
Operating Temp:	-20°C to +75°C	-4°F to +167°F
Nominal Diameter:	5.512 mm	0.217 in
Conductors:	11	22 AWG

CABLE (WATERPROOF VERSION)

Weight (Air):	81.8 Kg/Km	55 lbs/Mft
Weight (Submerged):	26.8 Kg/Km	18 lbs/Mft
Min Bend Radius:	89 mm	3.5 in
Operating Temp:	-20°C to +90°C	-4°F to +194°F
Nominal Diameter:	8.3 mm	0.325 in
Conductors:	12	24 AWG

The cable for the underwater variant is not yet finalized.

THERMAL PROPERTIES

Operating Temp:	-20°C to +70°C	-4°F to +158°F
Self Regulation Temp:	70°C	158°F

Heat Output @ 700mA

Red	9.5 W
Green	13.5 W
Blue	12 W
White	15W
Total	50 W

Operating temperature range not finalized.
Self regulation temperature TBD.

